

METAL CEMOVER[®]



TECRES

ADVANCING HIGH TECHNOLOGY

METAL CEMOVER®

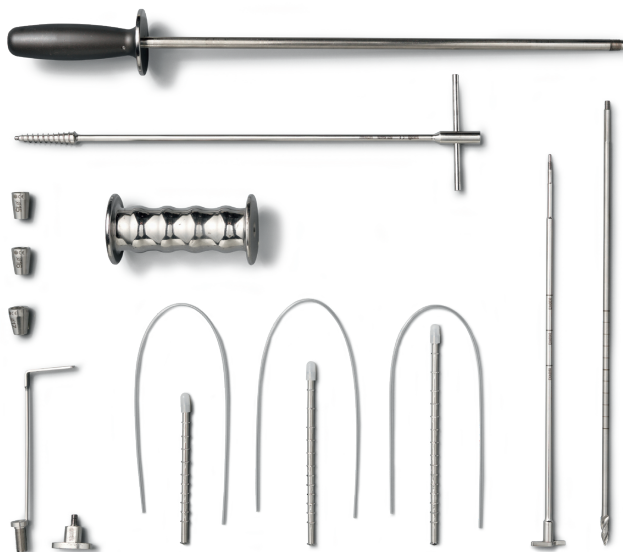
Metal Cemover® is a sterile single-use device for removal of bone cement.

In cemented prosthesis revisions, the cement may remain adherent to the bone.

Metal Cemover®, the innovative cement pull extractor allows completely and accurately removing residual cement.

The device consists of metamers connected one to each other that allow segmental cement removal.

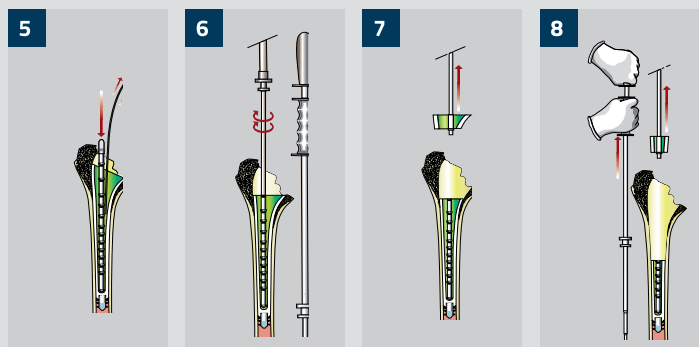
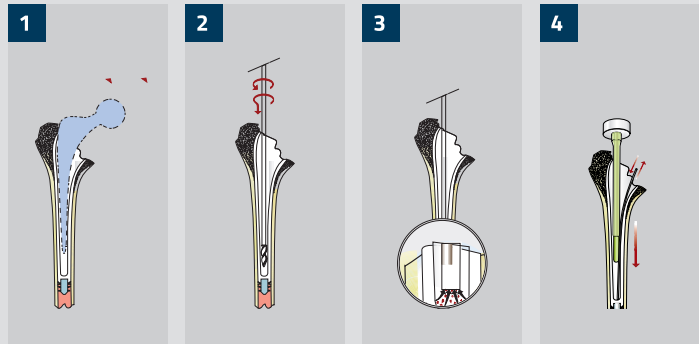
The device is available in 3 lengths (120, 150 and 180 mm)



HOW IT WORKS

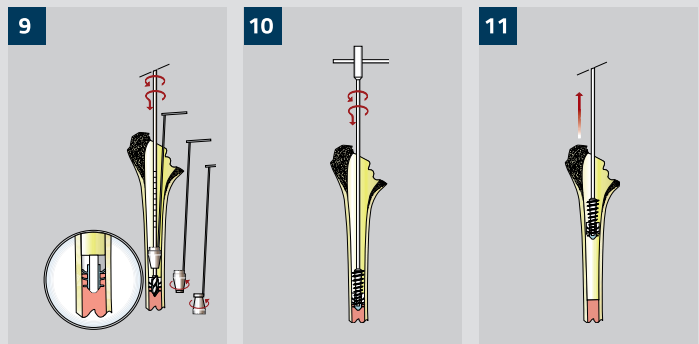
REMOVING BONE CEMENT

- 1 Remove the prosthesis
- 2 Ream the medullary canal. Do not drill the plug
- 3 Remove and aspirate any fragments and dry thoroughly
- 4 Insert the Ventilation tube in the canal and fill it with low viscosity bone cement*
- 5 Immediately remove the ventilation tube and insert Metal Cemover (do not move it after insertion!) and wait for the cement to polymerize
- 6 Assemble the instrument in the following order:
 1) Hammering Mass Staff
 2) Hammering Mass
 3) Double-Threaded junction
 4) Cemover Staff
 Remove protective cap and screw the instrument onto the first metamer
- 7 The metamer is removed by repeatedly acting on the Hammering Mass
- 8 Screw the instrument onto the next metamer and repeat operation 7 for all the metamers until complete removal

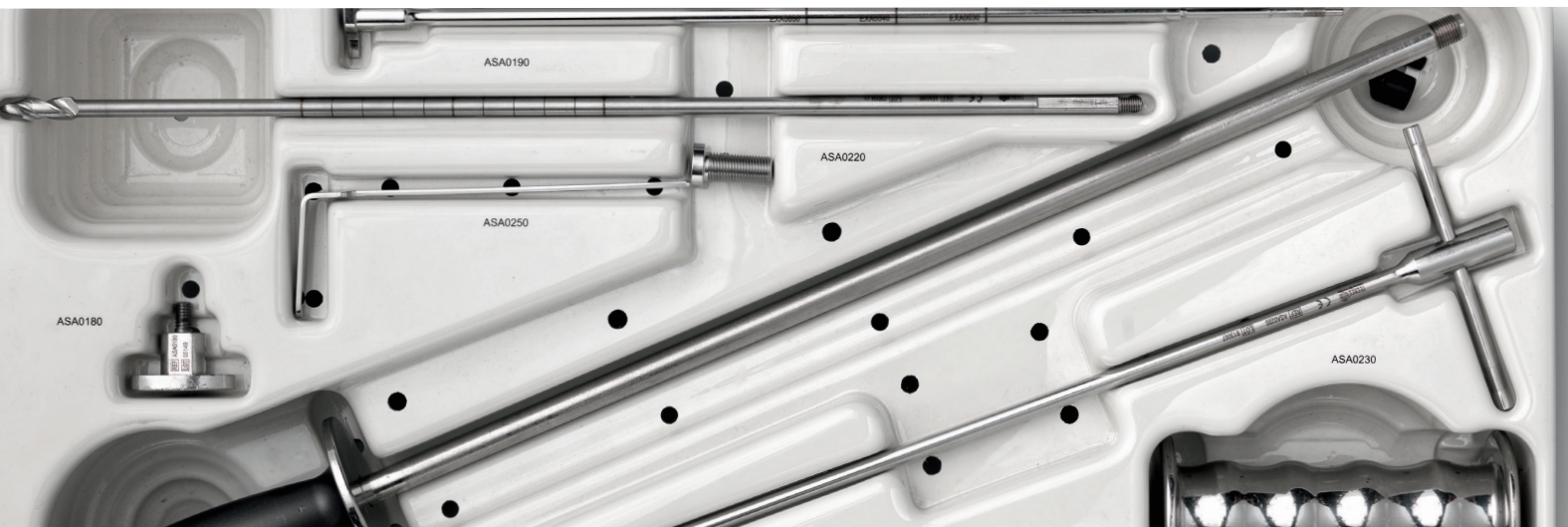


REMOVING THE INTRAMEDULLARY PLUG

- 9 Perforate the plug with an 8 mm Drill using the drill guide + adaptors. It is advisable to cool the 8 mm Drill by spraying the canal with physiological saline solution
- 10 Fully and forcefully screw the Plug Remover Staff down into the hole made with the 8 mm Drill
- 11 Remove the plug using the Plug Remover Staff
 If you have difficulties, connect the instrument used for removal of the segments to the double-threaded junction with the Plug Remover Staff



*CEMOVER can be used with all low-viscosity PMMA cements available on the market provided they have been approved for orthopaedic use. It is essential that the cement be used when it's still liquid. For example the following cements are ideal: Cemex RX (Ref. 1200/A), Cemex Genta Low Viscosity (Ref. 1400/AG), Cemex XL (Ref. 1200/S), Cemex Genta ID Green (Ref. 12A2420), Cemex System 60g (Ref. 1310/S), Cemex System Genta 60g (1310/SG), Cemex System 80g (Ref. 1500/S), Cemex System Genta 80g (Ref. 1500/SG), Cemex System Genta ID Green (Ref. 13A2420), Cemex Genta LV Gamma (Ref. 1400/AG INT), Cemex System Fast ID Green (Ref. 13A2320)



ORDERING INFORMATION

CODE	PRODUCT
EXA0030	METAL CEMOVER® 120 mm
EXA0040	METAL CEMOVER® 150 mm
EXA0050	METAL CEMOVER® 180 mm
ASA016A	CEMOVER® KIT
ASA0160	CEMOVER® KIT O2 without 8 mm drill
ASA0240	CEMOVER® KIT STERILIZATION TRAY
ASA0170	CEMOVER® STAFF it must be replaced after 6 Cemover removals
ASA0180	DOUBLE-THREADED JUNCTION
ASA0190	8 mm DRILL
ASA0200	PLUG REMOVER STAFF
ASA0220	HAMMERING MASS STAFF
ASA0230	HAMMERING MASS
ASA0250	8 mm DRILL GUIDE
ASA0260	DRILL GUIDE ADAPTOR Ø 15 mm
ASA0270	DRILL GUIDE ADAPTOR Ø 16 mm
ASA0280	DRILL GUIDE ADAPTOR Ø 17 mm

Warnings: The device requires the complete specific instruments

WHAT YOU NEED FOR THE OPERATION

- Metal Cemover®
- Cemover® Instruments
- Low viscosity Cement plus cementation system
- Drill

The range of accessories for Metal Cemover® includes everything necessary for an effective cement removal procedure.

METAL CEMOVER® CONSISTS OF:

- A sterile single-use device
- A plastic breather tube that allows removing the air in the surgical cavity during bone cement injection.



Scan the QR code
and download
the Surgical Technique

TECRES S.P.A.

Via A. Doria, 6 - 37066 Sommacampagna (VR) - Italy
T +39 045 92 17 311 - F +39 045 92 17 330
www.tecres.it - info@tecres.it